




Installation Instructions – SPK10

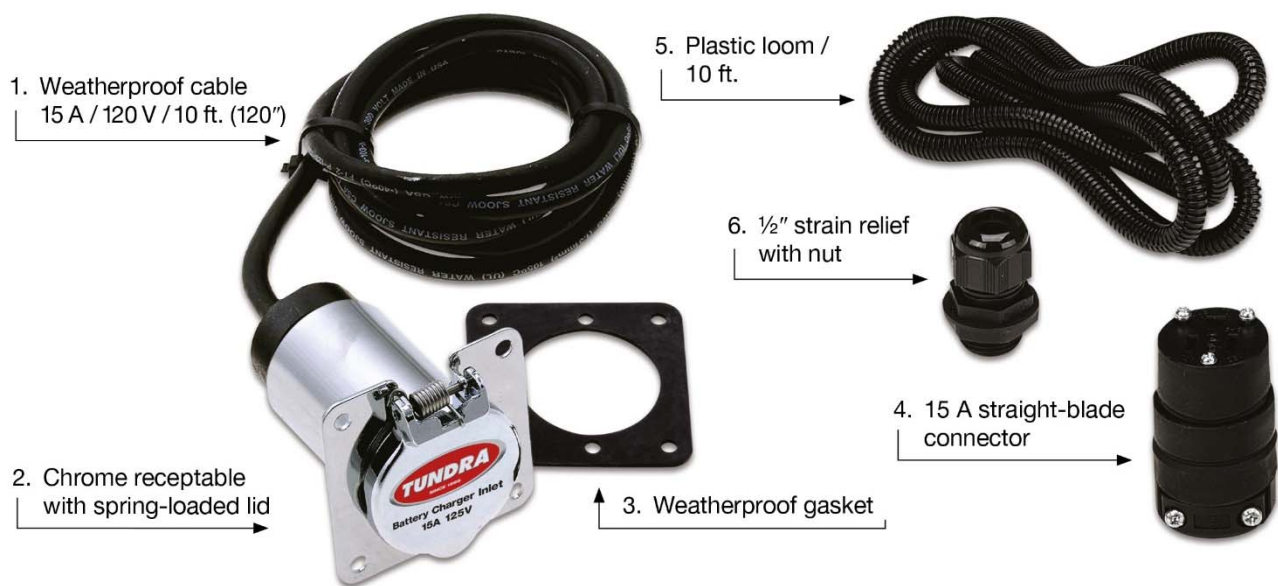
Shore Power Kit for battery chargers
IBC15, IBC45, IBC70 & IBC2524



 This shore power kit is designed for use in a class 8 truck to supply Tundra battery charger / converter models IBC15, IBC45, IBC70 and IBC2524 exclusively. Any other usage is highly discouraged.

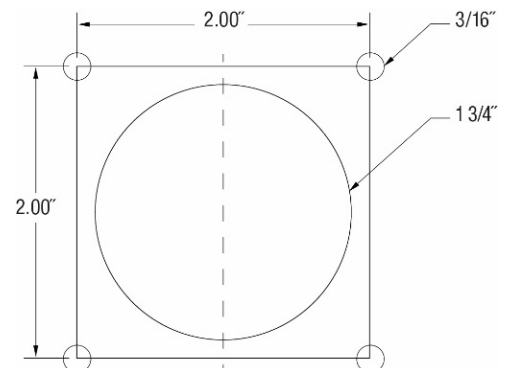
 The electrical current that goes through this shore power kit is powerful enough to injure or kill anyone nearby. This product must be installed by a qualified technician. Do not carry out the tasks of an electrician if you don't have the knowledge and skills required.

 To prevent electric shock, use only a 3-wire grounded extension cord rated for outdoor use when connecting the shore power kit to an outdoor power source.



Installation Procedure

- A. Identify a suitable location to install the chrome housing assembly outside the cab. It should be:
- within 10 feet of the battery charger.
 - visible enough to prevent the operator from driving away with the extension cord plugged in.
 - located away from exhaust pipes or components subject to excessive heat.
 - positioned on a flat surface of at least 2 1/2 by 2 1/2 inches.
- B. Using a hole saw, drill a 1 3/4 inch hole to accommodate the chrome housing.
- C. Using the chrome housing as a template, mark the 4 mounting holes. Note: Move the chrome housing away before drilling the 3/16 inch mounting holes. This will preserve the rust protection coating
- D. Firmly secure the chrome housing using rust-resistant bolts and nuts.



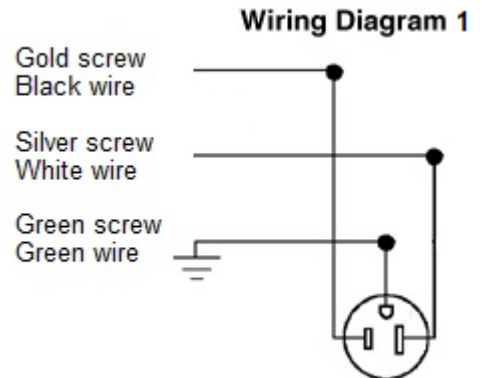
CM-SPK10-INST-0819-EN

Installation Instructions – SPK10

Shore Power Kit for battery chargers IBC15, IBC45, IBC70 & IBC2524



- E. Identify a suitable location to drill the floor and insert the black cable through it. Make sure it is:
 - away from cross members.
 - away from coolant hoses and electrical harnesses.
 - close enough to the battery charger / converter.
- F. Using a 7/8 inch hole saw, drill a hole at the designated location.
- G. Remove the nut from the pre-installed strain relief, slide the black cable / strain relief assembly through the floor, and firmly install the strain relief nut inside the cab.
- H. Adjust cable length under the cab, and firmly tighten the strain relief cap.
- I. Protect the cable section located underneath the cab using the included plastic loom. Only use the required length and keep the remaining part for the cable section located inside the cab.
- J. Still underneath the cab, attach the cable to the truck structure using steel/neoprene clamps.
- K. Inside the cab, install the included straight-blade connector on the cable. See **Wiring Diagram 1**.
- L. Make sure the battery charger / converter is installed properly and plug the battery charger / converter cord into the connector.
- M. Protect the interior section of the cable using what's left of the plastic loom and secure the cable to avoid contact with sharp edges.



The battery charger/converter and its connectors must be kept away from all liquids and intense sources of humidity. Not following this recommendation may cause material loss, fire or serious injury.

STANDARD LIMITED WARRANTY PROGRAM

TUNDRA INTERNATIONAL guarantees its products against defects in material or workmanship for a period of one (1) year from the date of first end-user purchase. This warranty applies to the original purchaser (end user) of the product only. This limited warranty is void if the unit is abused, modified, installed improperly, if the housing has been removed, if the serial number is missing, or if the original identification markings have been defaced, altered, or removed, or if there is a lack of maintenance. The product should never have been exposed to liquids, excessive dust or corrosive materials.

TUNDRA INTERNATIONAL is not liable for any incidental, consequential or other damages arising from the use, misuse, or operation of this product, including, without limitation, damages resulting from loss of use, cost of removal, installation, or troubleshooting of the customer's electrical systems.

CM-SPK10-INST-0819-EN